

SECTION 06424 – PROTECTIVE SURFACING

PART 1 - GENERAL

1 SUMMARY

- A. Section Includes: Interior rigid sheet protective wall covering.
- B. Related Sections:
 - 1. Section 09250 - Gypsum Board: Substrate for protective surfacing.

2 REFERENCES

- A. The publications listed below form a part of this specification to the extent referenced. Publications are referenced within the text by the basic designation only.
- B. ASTM International (ASTM):
 - 1. ASTM E 84 - Test Method for Surface Burning Characteristics of Building Materials.
 - 2. ASTM D1308 - Standard Test Method for Effect of Household Chemicals on Clear and Pigmented Organic Finishes.
 - 3. ASTM F476 - Standard Test Methods for Security of Swinging Door Assemblies.

3 QUALITY ASSURANCE

- A. Manufacturer's Qualifications: Not less than 5 years experience in the production of specified product.
- B. Installer qualifications: Not less than 3years experience in installation of similar product/system, as required for this project.
- C. Fire Performance Requirements:
 - 1. Surface Burning Characteristics: Conform to the following in accordance with ASTM E 84.
 - a. Flame Spread: Less than 25 or less.
 - b. Smoke Density: 450 or less.
- D. Impact Strength Requirements:
 - 1. Tested in accordance with and meets or exceeds the applicable provisions of ASTM F 476.
- E. Chemical and Stain Resistance Requirements:
 - 1. Tested in accordance with and meets or exceeds ASTM D 1308.

4 DELIVERY, STORAGE AND HANDLING

- A. Store in clean, dry, enclosed, and secure storage area. Store flat and in accordance with manufacturer's published requirements.

5 PROJECT CONDITIONS

- A. Store material in an environment of 65-75°F for at least 24 hours prior to beginning the installation.
- B. Installation areas shall be enclosed and weatherproofed before installation commences.

PART 2 - PRODUCTS

1 MANUFACTURER

- A. Grand Entrance, Frederick, MD. Contact: Wal-Mart National Account (888) 424-6287, georders@c-sgroup.com

2 MATERIAL

- A. Product: Protective surfacing wall covering panel shall be EcoShield by Grand Entrance. Grand Entrance Part No. WMWC40ES410S601 .
- B. Description
 1. PVC-free polyester blend compound, high impact, rigid sheet.
 2. Thickness: .040”.
 3. Sheet Size: 48” by 96”.
 4. Texture: Suede.
 5. Color:
 - a. PS-1: Walmart Blue.

3 ACCESSORIES

- A. Adhesive: Spray Lock Wall Panel Adhesive, as manufactured by Interlock Industries, Inc., Dalton, GA, (706) 517 8989.
- B. Corner Trim: High impact Ecoshield extrusions by Grand Entrance. Color, Wal-Mart Blue to match wall covering panel.
 1. Inside Corner: Manufacturer’s standard, Grand Entrance Part No. WMWC40IS601.
 2. Outside Corner: SSM-20 Suede Texture. Grand Entrance Part No. WMSSM20ESS601.
- C. Caulk: Color-matched and furnished by manufacturer. Grand Entrance Part No. WMCAULK601.

PART 3 - EXECUTION

1 EXAMINATION

- A. Examine surfaces and adjacent areas where protective wall covering will be installed and verify that substrates are flat, clean, dry, solid, and free from coatings and defects detrimental to installation. Verify that surfaces conform to product manufacturer's requirements for substrate conditions.

2 PREPARATION

- A. Prepare substrate for protective wall covering installation in accordance with manufacturer's published instructions and recommendations.
- B. View manufacturer’s installation video prior to start of installation.

3 INSTALLATION

- A. Install protective wall covering and accessories, including trim, in accordance with manufacturer's published instructions and video. Use manufacturer’s recommended adhesive, as specified above. Follow the manufacturer’s installation video except as otherwise instructed by the manufacturer.
- B. Relative humidity shall not exceed 80% at time of installation.
- C. Apply using adhesive specified.
- D. Apply caulk at butt joints as required to fill gaps.

- E. Maintain temperature between 65-75°F for at least 48 hours after the installation.
- F. Do not expose protective wall covering to direct sunlight during or after installation.

4 CLEANING

- A. Immediately upon completion of installation, clean protective surfacing and accessories in accordance with manufacturer's recommended cleaning method.
- B. Remove surplus materials, rubbish and debris resulting from installation as work progresses and upon completion of work.

5 PROTECTION

- A. Protect installed protective surfacing from subsequent construction activities. Use materials that may be easily removed without leaving residue or permanent stains.

END OF SECTION



SUGGESTED SPECIFICATIONS
SECTION 09 72 00
C/S EcoShield .040" Rigid Sheet

Part 1 - General

1.01 Summary

- A.** This section includes the following types of wall protection systems:
 - 1.** Wall Covering
- B.** Related sections: The following sections contain requirements related to this section:
 - 1.** Handrails, Bumper Guards, Crash Rails, Corner Guards, Accent Rails, Wall Panels, Door Protection; refer to section 10 26 00 "Wall and Door Protection"

1.02 References

- A.** National codes (IBC, UBC, SBCCI, BOCA and Life Safety)
- B.** American Society for Testing and Materials (ASTM)
- C.** Underwriters Laboratories (UL)

1.03 Submittals

- A.** General: Submit the following in accordance with conditions of contract and Division 1 specification section 01 33 00 "Submittal Procedures".
- B.** Product data and detailed specifications for each system component and installation accessory required, including installation methods for each type of substrate.
- C.** Shop drawings showing locations, extent and installation details of wall covering products.
- D.** Samples for verification purposes: Submit the following samples, as proposed for this work, for verification of color, texture, pattern and thickness:
 - 1.** Sample of each product specified.
- E.** Product test reports from a qualified independent testing laboratory showing compliance of each component with requirements indicated.
- F.** Maintenance data for wall protection system components for inclusion in the operating and maintenance manuals specified in Division 1.

1.04 Quality Assurance

- A.** Installer qualifications: Engage an installer who has no less than 3 years experience in installation of systems similar in complexity to those required for this project.
- B.** Manufacturer's qualifications: Not less than 5 years experience in the production of specified products and a record of successful in-service performance.
- C.** Code compliance: Assemblies should conform to all applicable codes including IBC, UBC, SBCCI, BOCA and Life Safety.
- D.** Fire performance characteristics: Provide wall protection system components with UL label indicating that they are identical to those tested



in accordance with ASTM E84 (CAN/ULC S102.2) for Class 1 characteristics listed below:

1. Flame spread: 25 or less
2. Smoke developed: 450 or less

International Fire Ratings Include:

UK: BS476-part 7, Class 1.

France: MI.

Spain: MI.

Germany: DIN4102, BI Classification.

Italy: Class 1.

E. Impact Strength: Provide assembled wall protection units that have been tested in accordance with the applicable provisions of ASTM F476.

F. Chemical and stain resistance: Provide wall protection system components with chemical and stain resistance in accordance with ASTM D-1308.

G. Color match: Provide wall protection components that are color matched in

accordance with the following:

1. Delta Ecmc of no greater than 1.0 using CIELab color space. (Specifier note: Construction Specialties' colors are matched under cool white fluorescent lighting and computer controlled within manufacturing tolerances. Color may vary if alternate lighting sources are present).

H. Single source responsibility: Provide all components of the wall protection system manufactured by the same company to ensure compatibility of color, texture and physical properties.

1.05 Delivery, Storage and Handling

A. Deliver materials to the project site in unopened original factory packaging clearly labeled to show manufacturer.

B. Store materials in original, undamaged packaging in a clean, dry place out of direct sunlight and exposure to the elements. A minimum room temperature of 40°F (4°C) and a maximum of 100°F (38°C) should be maintained.

C. Materials must be stored flat.

1.06 Project Conditions

A. Materials must be acclimated in an environment of 65-75°F (18-24°C) for at least 24 hours prior to beginning the installation.

B. Installation areas must be enclosed and weatherproofed before installation commences.

Part 2 - Products

2.01 Manufacturers

A. Interior surface protection products specified herein and installed on the submittal drawings shall be manufactured and supplied by Grand Entrance. For Walmart National Account pricing, please call (888) 424-6287.



2.02 Materials

A. PVC-Free Polyester Blend Compound Rigid sheet should be high impact EcoShield with Suede texture, nominal .040" (1.02mm) thickness and supplied in 4' x 8' (1.22m x 2.44m) or 4' x 10' (1.22m x 3.05m) sheet sizes. Color to be Walmart Blue. Specify color-matched caulk, vinyl/acrylic trims or metal trims as needed for joints/transitions.

2.03 Fabrication

A. General: Fabricate wall covering to comply with requirements indicated for design, dimensions, detail, finish and sizes.

2.04 Accessories

A. Adhesive to be Spray-lock wall panel adhesive manufactured by Interlock Industries.

Part 3 - Execution

3.01 Examination

A. Verification of conditions: Examine areas and conditions under which work is to be performed and identify conditions detrimental to proper or timely completion.

1. Do not proceed until unsatisfactory conditions have been corrected.

3.02 Preparation

A. Surface preparation: Prior to installation, clean substrate to remove dirt, debris and loose particles. Perform additional preparation procedures as required by manufacturer's instructions.

B. Protection: Take all necessary steps to prevent damage to material during installation as required in manufacturer's installation instructions.

3.03 Installation

A. Install the work of this section in strict accordance with the manufacturer's recommendations, using approved adhesive.

B. Temperature at the time of installation must be between 65-75°F (18-24°C) and be maintained for at least 48 hours after the installation to allow for proper adhesive set up.

C. Relative humidity shall not exceed 80%.

D. Do not expose wall covering to direct sunlight during or after installation. This will cause the surface temperature to rise, which in turn will cause bubbles and delamination.

3.04 Cleaning

A. General: Immediately upon completion of installation, clean wall covering and accessories in accordance with manufacturer's recommended cleaning method.

B. Remove surplus materials, rubbish and debris resulting from installation as work progresses and upon completion of work.

3.05 Protection

A. Protect installed materials to prevent damage by other trades. Use materials that may be easily removed without leaving residue or permanent stains.





ECOSHIELD® INTERIORS

.040 & .060 Wall Covering w/ Spraylock 1500 Adhesive

INSTALLATION INSTRUCTIONS

Please read these instructions thoroughly before beginning the installation of EcoShield® Interiors rigid .040 or .060 wall covering! This manual is intended to provide a specific guide to follow, including technical information and installation techniques required for an efficient, neat and long-lasting installation.

EcoShield Interiors vinyl acrylic wall covering must be installed in accordance with these instructions! **Failure to follow these instructions may void any product warranties and result in an unsuccessful installation.** Removal of improperly installed material will damage the wall substrate and require refinishing. For specific questions regarding the installation of rigid .040 or .060 EcoShield® Interiors Wall Covering, please call the factory at (888) 424-6287.

★ Throughout this manual, you will see this symbol which indicates important information that will be key to a successful wall covering installation.

IMPORTANT NOTES

★ EcoShield Wall Covering will expand and contract with changes in temperature. EcoShield will change in size by .00005" per inch/per degree. If the temperature is expected to vary more than 20°F (11°C), please contact the factory before beginning the installation.

Allow materials to acclimate at room temperature (min. 24 hours) before beginning the installation.

If there are any doubts or concerns about the installation, perform a trial installation before beginning the project. Should you have any questions regarding the installation, please call the factory at (888) 424-6287.

WALL COVERING THERMAL MOVEMENT CHART				
Sheet Width	Expected Growth for Various Temperature Changes			
	±5°F (3°C)	±10°F (6°C)	±15°F (8°C)	±20°F (11°C)
4'-0"	1/64" (.38mm)	1/32" (.79mm)	1/32" (.79mm)	3/64" (1.17mm)
8'-0"	1/32" (.79mm)	3/64" (1.19mm)	5/64" (1.98mm)	3/32" (2.36mm)
10'-0"	1/32" (.79mm)	1/16" (1.59mm)	3/32" (2.36mm)	1/8" (3.17mm)
12'-0"	1/32" (.79mm)	5/64" (1.98mm)	7/64" (2.77mm)	9/64" (3.56mm)

TABLE OF CONTENTS

Important Notes	Cover	Starting Procedure	Page 4	Smoothing Operation	Page 5
Thermal Movement	Cover	Sheet Preparation	Page 4	Abutting Sheets	Page 5
Tools & Equipment	Page 2	Adhesive Application	Page 4	Inside / Outside Corners	Page 5
DOs & DON'Ts	Page 2	Photo of Application Rate	Page 4	Clean-up	Page 5
Wall Preparation	Page 3	Handling & Installation	Page 5	Standard Trim Details	Page 6
Wall Priming	Page 3	Trim Application	Page 5	Installation Details	Page 6



TOOLS & EQUIPMENT

BY CONTRACTOR

Chalk Line (wainscot application)
6'-0" Level (or larger)
Straight Edge
Drop Cloth
Masking Tape
Utility Knife
Water Bucket
Mild Detergent

AVAILABLE FROM GRAND ENTRANCE

To be supplied with each order
1/8" V-Notch Trowel Water Base Mastic
Water Base Mastic Primer (if required)

Optional kit, supplied if purchased separately:

1/8" V-Notch Trowel	Paintbrush	Putty Knife
Crain #333 Extension Roller	Compass	Utility Knife
Paint Tray & Roller	Scissors	Sponge Pad

DOs & DON'Ts

DO read all instructions for wall primers & installation procedures prior to beginning the installation.

★ **DO** make sure the materials are kept flat and in a clean, dry area while in storage before acclimating them. Material should be well supported and the temperature should be min. 50°F (10°C) and max. 100°F (38°C).

DO make sure material is acclimated in an environment of 65°F - 75°F (18°C - 24°C) for at least 24 hours prior to beginning the installation.

DO make certain porous substrates like drywall or concrete block are sealed with Water Base Mastic Primer before adhesive application.

DO be sure the temperature at the time of the installation is between 65°F - 75°F (18°C - 24°C) and is maintained for at least 48 hours after the installation to allow for proper adhesive set up. [70°F (21°C) is the preferred installation temperature.]

★ **DO** wipe the back of the wall covering with a clean damp cloth to remove any dust or dirt just before installing.

DO apply the adhesive to the wall surface only.

DO allow the adhesive to cure properly. Under ideal conditions, curing time will be approximately 30 min., however it will vary depending on temperature and relative humidity. The adhesive cure time for applications over nonporous substrates is critical and will also vary. (Ref. Page 4, Step 5)

DO remove excess adhesive immediately. Dried adhesive is to be removed from tools using paint thinner or a similar solvent.

DO drill oversize holes when installing fixtures such as handrails, air ducts, etc. If another contractor is to install these items, be certain to notify them that oversized holes are necessary.

DO refer to the MSDS for disposal of extra adhesive and primer.

DON'T install EcoShield wall covering in any rooms that will experience more than a 20°F (11°C) temperature change without discussing with the factory before beginning.

DON'T stand sheet on end.

DON'T install sheets exceeding 12'-0" long.

★ **DON'T** use Polyvinyl Acetate (PVA) based primers or joint compounds in conjunction with Water Base Mastic.

DON'T use any primers or adhesives other than those recommended for use with this product.

DON'T use adhesive or primer that has frozen and thawed.

DON'T install EcoShield wall covering when the room temperature is below 65°F (18°C).

DON'T begin the installation if the relative humidity is above 80%.

DON'T allow the temperature to vary significantly during the first 48 hours after the installation. The adhesive must maintain contact with the wall covering while it is curing. A decrease in temperature while curing will cause the adhesive to shrink.

★

DON'T butt wall covering tight against door jambs, ceilings or baseboards. Allow a 1/16" gap (1.6mm) for expansion.

DON'T expose wall covering to elevated temperatures or direct sunlight after the installation. This causes the surface temperature to rise, which will cause bubbles and delamination.

DON'T use Methyl Ethyl Ketone (MEK), cleaners containing MEK or similar solvents to clean EcoShield wall covering.

DON'T use Scotch-Brite pads, steel wool or similar cleaning pads on EcoShield wall covering.

DON'T rush the installation!



WALL PREPARATION

GENERAL

Examine all new or existing walls that are to receive EcoShield wall covering. They must be clean, smooth, dry and free of any oils or loose paint prior to applying Water Base Mastic Primer.

SPECIFIC CONDITIONS

New Drywall or Plaster – New drywall should be taped and sanded smooth. When finished, all surfaces should be wiped clean to remove any dust. New plaster should be allowed to cure a minimum of 30 days.

Concrete & Concrete Masonry Units – .040 thick EcoShield is not recommended for use over concrete and CMU walls because the unevenness of the wall will telegraph through the wall covering. Instead, .060 is suggested for these conditions. All concrete or CMU walls should still be made smooth with suitable filler.

Painted Surfaces – Painted surfaces must be tested for adhesion. Apply a 12” x 12” piece of EcoShield in an inconspicuous area. After allowing the sample to set for 24 hours, remove the test piece and examine the area. If the paint has softened where the adhesive was applied, the paint must be removed or sealed with Water Base Mastic Primer. If the walls are drywall, test over a joint compound location if possible.

Existing Wall Coverings – When installing over existing materials like wallpaper or vinyl wall covering, the entire surface must be inspected for areas that are not securely bonded to the wall surface. Any loose areas must be removed and repaired as required. The existing wall covering should then be cleaned with a mild detergent and wiped dry. Be certain all cleaned areas are completely dry before proceeding.

STEP 1: PREVENTATIVE MEASURES

Because EcoShield has a grain direction, all material should be installed with the same top and bottom orientation. To prevent mistakes, mark the shipping cartons with top or bottom designation and install the material with this orientation throughout the project.

To ensure easy clean-up and/or prevent damage to adjacent finishes, provide a drop cloth at the base of the walls, mask door and window frame edges, and remove all cover plates like switches, outlets and thermostat covers.

STEP 2: WALL PRIMING

★ *Never use Polyvinyl Acetate Primers in place of EcoShield Interiors Water Base Mastic Primer!*

★ *Allow at least 24 hours before installing wall covering over newly primed walls.*

New Drywall or Plaster – Walls should be primed with EcoShield Interiors Water Base Mastic Primer.

Painted Drywall or Plaster – Painted walls MUST be checked for adhesion as described above under the wall preparation section. If the paint will not provide an acceptable base for adhesion, the most severe areas must be removed and primed with EcoShield Interiors Water Base Mastic Primer.

Concrete, Concrete Block, Wood Paneling, Plywood or Similar – These surfaces must be made smooth with a suitable filler and then primed with EcoShield Interiors Water Base Mastic Primer.

Flexible or Rigid Wall Covering over Drywall or Plaster – Existing wall covering must be clean and their installation must be secure before installing EcoShield wall covering. Priming is not necessary for these surfaces.



STEP 3: STARTING PROCEDURES

Full Height Installation – Establish a plumb line to be located at the edge of the first sheet. This will serve as a starting point for the wall covering to be installed on that wall and will ensure the following sheets be installed plumb. Establish a plumb line at the beginning of each new installation of wall covering.

Wainscot Installation – Establish a level line at the specified height for the entire length of the run. Install the wall covering by aligning the top edge with this line. A level line should be established for each new installation.

STEP 4: SHEET PREPARATION

Prepare the first sheet by making any necessary cutouts or scribe the edge to fit the inside corner if applicable. Remember to allow a 1/16” gap around door and window frames, ceilings and baseboards. Use a straight edge to ensure neat cutouts.

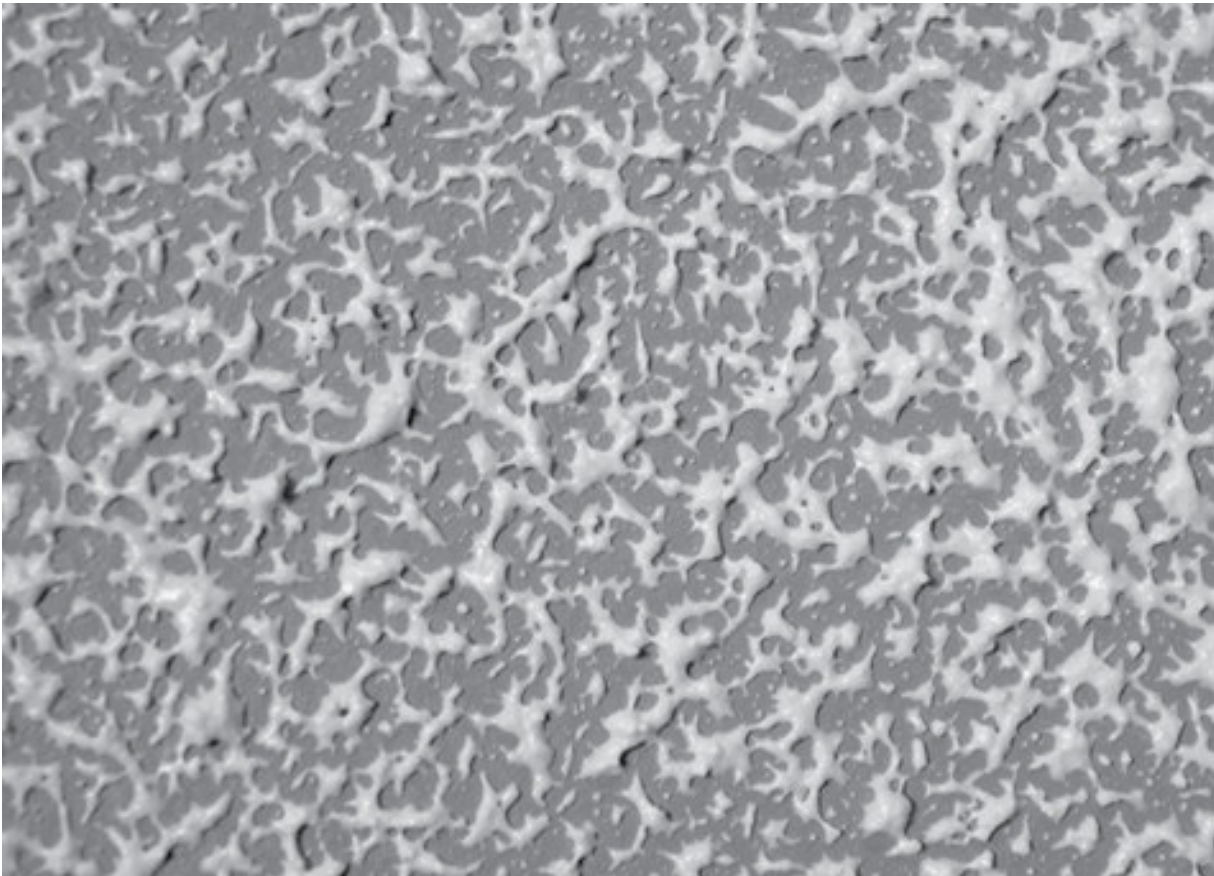
Place the sheet with the smooth side up and wipe the sheet with a clean damp cloth to remove any dust or dirt. You are now ready to apply EcoShield Spraylock aerosol adhesive.

STEP 5: ADHESIVE APPLICATION

The Spraylock adhesive is supplied in 22-oz. cans. **The coverage for one can is approximately 64 sq. ft. (2 full 4' x 8' panels).** Prepare the can for use by shaking it for 1-2 minutes and removing the blue safety tab from the top of the nozzle.

While holding the can upright at a distance of 10”–12” from the wall surface, spray the adhesive in a back and forth motion to achieve uniform coverage comparable to the photo below. Note that the photo is at 1:1 scale for side by side comparison purposes.

★ **NOTE – If the can is not empty after spraying (2) 4' x 8' panels, then the proper application rate was not achieved.**



Under ideal conditions, the proper cure time of the adhesive should be approximately 10-20 min. However, this time will vary depending on temperature and relative humidity. When applied, the adhesive is white and creamy. It is best to install the wall covering when the adhesive becomes tacky and does not transfer onto your finger.

★ Nonporous surfaces like metal, high-pressure laminate or vinyl will not absorb moisture from the adhesive, thus retarding its cure time. It is important that the adhesive is firm, yet pliable, to the touch and that it does not transfer onto your finger. If the wall covering is installed before the adhesive has reached this stage, the moisture released by the curing adhesive will become trapped and at elevated temperatures the wall covering will bubble and/or delaminate.

Once the adhesive has cured properly, the wall covering can be installed.

STEP 6: HANDLING AND INSTALLATION

Careless handling of EcoShield wall covering could result in damage and unreparable “kink” marks. Damage is less likely to occur when using two people to move and position the sheets.

Align the edge of the wall covering with the plumb or level line established in Step 3 and rub the wall covering along the edge no more than six inches from that edge (to allow for positioning of vertical trims). Continue this procedure over the full length of that edge of wall covering until it has been aligned. Lightly rub the rest of the wall covering until the rest of its area has made contact with the wall surface. Sheets can be repositioned as long as they are not pressed firmly into the mastic adhesive.

IT IS IMPORTANT TO REMOVE ANY OVERSPRAY WITH A DAMP CLOTH WHILE THE ADHESIVE IS STILL WET. After it cures, it becomes much more difficult to remove.

STEP 7: TRIM APPLICATION

When required, install the vertical trim after the first sheet is in place but before the smoothing operation. Slide the trim over the edge of the sheet, making sure that the appropriate gap inside the trim is maintained. After applying the trim to the sheet and bringing it in contact with the wall, use the smoothing brush to complete the installation.

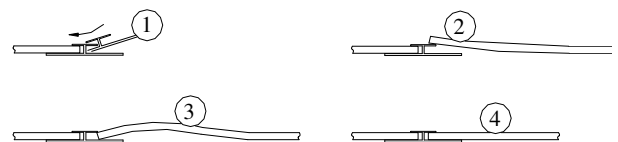
Wainscot trim is installed much the same way as vertical trim. It is necessary to notch the back of the wainscot trim where it intersects a vertical trim.

STEP 8: SMOOTHING OPERATION

Once the EcoShield sheet has been aligned with the plumb line or adjacent sheet, use the smoothing brush to insure maximum contact with the Water Base Mastic Adhesive. Starting in the middle, work outward to the top, bottom and edges using full width strokes in an arching motion. By smoothing the sheet, you will also be able to remove any trapped air pockets. Once completed, run the palm of your hand over the entire surface feeling for bubbles or loose areas. Repeat the smoothing process as necessary until the entire sheet makes full contact with the adhesive.

STEP 9: ABUTTING SHEETS

Vertical Trims – When specified, install vertical trims as described in Step 7. The next sheet should be installed by inserting the adjacent edge into the vertical trim that’s been installed previously. One recommended method is to slightly overlap the trim with the abutting sheet. Once the sheet is in place, arch the overlapping edge and allow it to slide into the opening. (See details at right.)

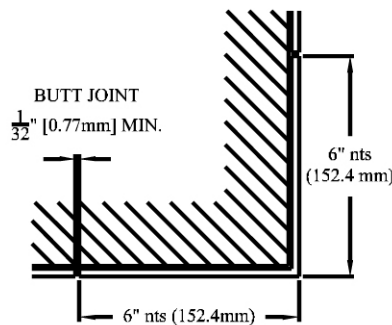
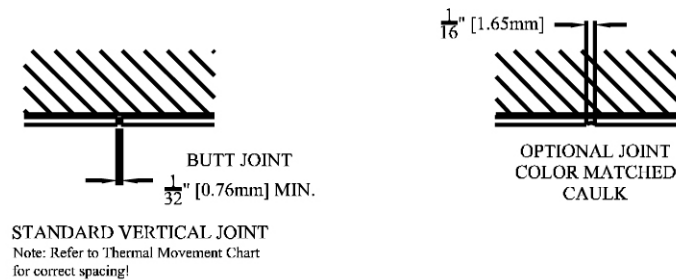


Thicker wall covering is more rigid and is typically easier to handle, but it may be more difficult to insert into the trim. To overcome this, another method of installing abutting sheets is to insert the corner of the adjacent sheet into the vertical trim first and gradually work along the length of the trim until the wall covering is in position.

Butt Joints – Butt joints should only be used in temperature controlled environments of $75^{\circ}\text{F} \pm 5^{\circ}\text{F}$ ($24^{\circ}\text{C} \pm 3^{\circ}\text{C}$) during and after the installation. Note the minimum gap width of $1/32''$ as shown in the detail below. If the temperature is expected to exceed these temperatures, please refer to the thermal movement chart on the cover page of these instructions to determine the appropriate joint spacing.

Color Matched Caulk – C/S Group has caulk that matches the specified sheet color and can be purchased separately for use at wall covering joints. When caulked joints are specified, a gap is required between sheets. Refer to the thermal movement chart for the appropriate gap width, BUT DO NOT MAKE THE GAP LESS THAN $1/16''$ (1.5mm) WIDE.

Before applying caulk, mask each edge of the joint to protect the wall covering from excess caulk. Once the joints have been masked, apply a bead of the color-matched caulk to the joint. Use a putty knife to immediately screed the excess caulk off. Additional instructions for caulk application can be found on the tube.



STEP 10: CORNERS

At inside and outside corners, cut the EcoShield wall covering to the correct width minus $1/16''$ (1.5mm) to facilitate the installation of the inside or outside corner trim. Dry fit the sheet with the trim attached to ensure proper alignment or fit. Once satisfied with the fit, apply the adhesive as noted in Step 7. Align the sheet edge with the adjacent piece and roll it toward the inside or outside corner.

STEP 11: CLEAN-UP

Upon completion of the installation, remove all protective materials (masking tape, etc.) except for the drop cloths. Inspect all joints and cutouts to ensure that all excess adhesive has been removed. Use soap and water to clean any areas that may have adhesive residue. Once the inspection and clean-up have been completed, the drop cloths can be removed and the cover plates and other wall-mounted items can be installed.